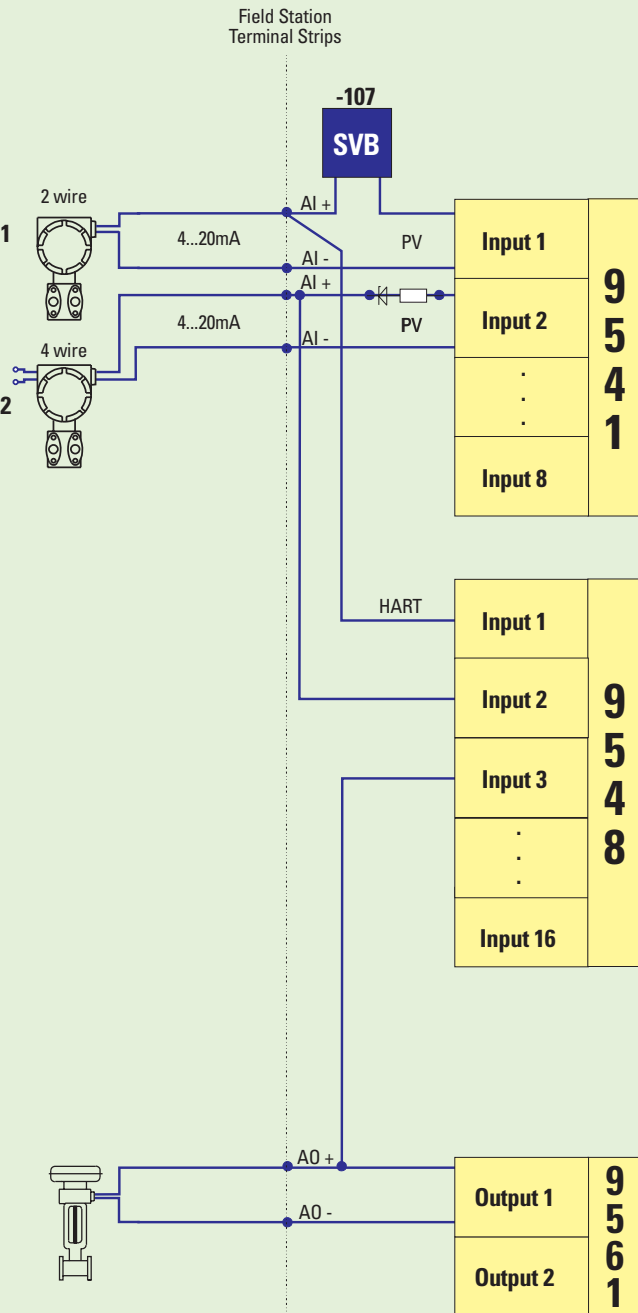


Figure 9548.1

Figure 9548.2



The Type 9548 HART™ Multiplexer enables the user to communicate with HART™ devices installed within a hazardous area from the safe area control room. The module works in conjunction with either the Type 9541 Analog Input or 9561 Analog Output modules which capture the process variable in analog form (4...20mA). A parallel connection from the analog circuit enables digital communication with the field device.

Communication with the field devices is enabled by means of the Cornerstone™ software from Applied Systems Technologies. Cornerstone™ makes it possible to reach all of the field devices accessible variables - i.e. parameters, configuration data and measurements.

Application	HART™ transmitters and positioners
Number of inputs	16
Isolation	point to USE point to ground

Input characteristics	
Protocol	HART version 5.1
Load resistance	250...500 Ω
Voltage	22VDC
Input resistance	> 20MΩ

External power, SVB	
Module	19V/35mA

Diagnostics	
module failure	